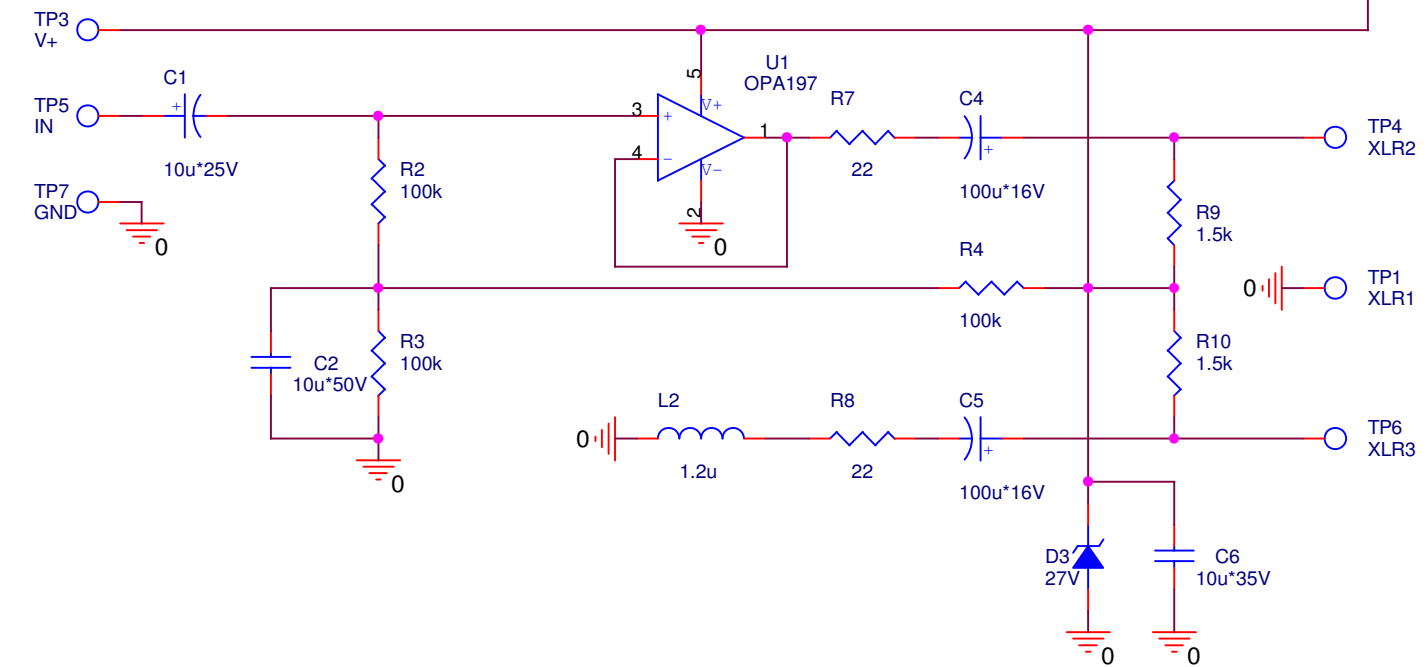


$$L12 = [V_{out} / (2 * V_{in}) - 1.5] * L23$$

$$V_{out} = 2 * V_{in} * (L12 / L23 + 1.5)$$



Title		
MV201 adapter		
Size	Document Number	Rev
A	Microphone Shop	1
Date:	Monday, July 03, 2017	Sheet 1 of 1